

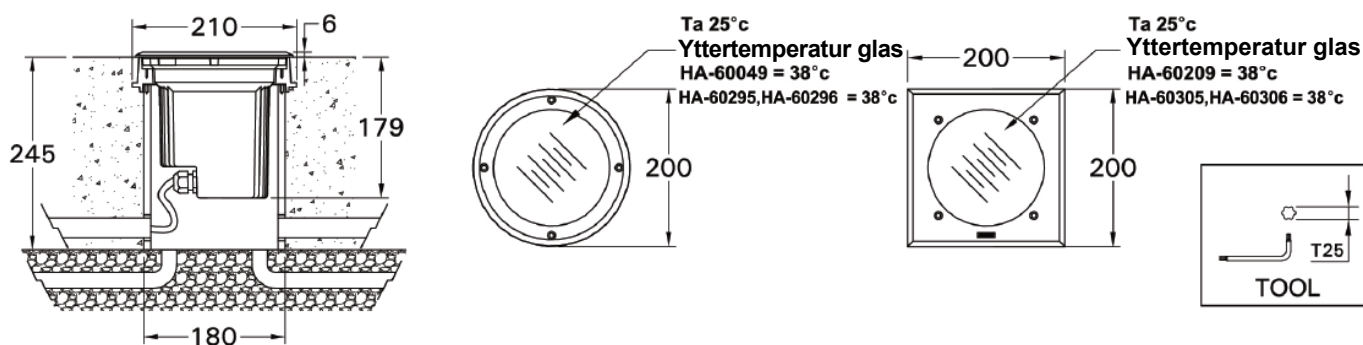
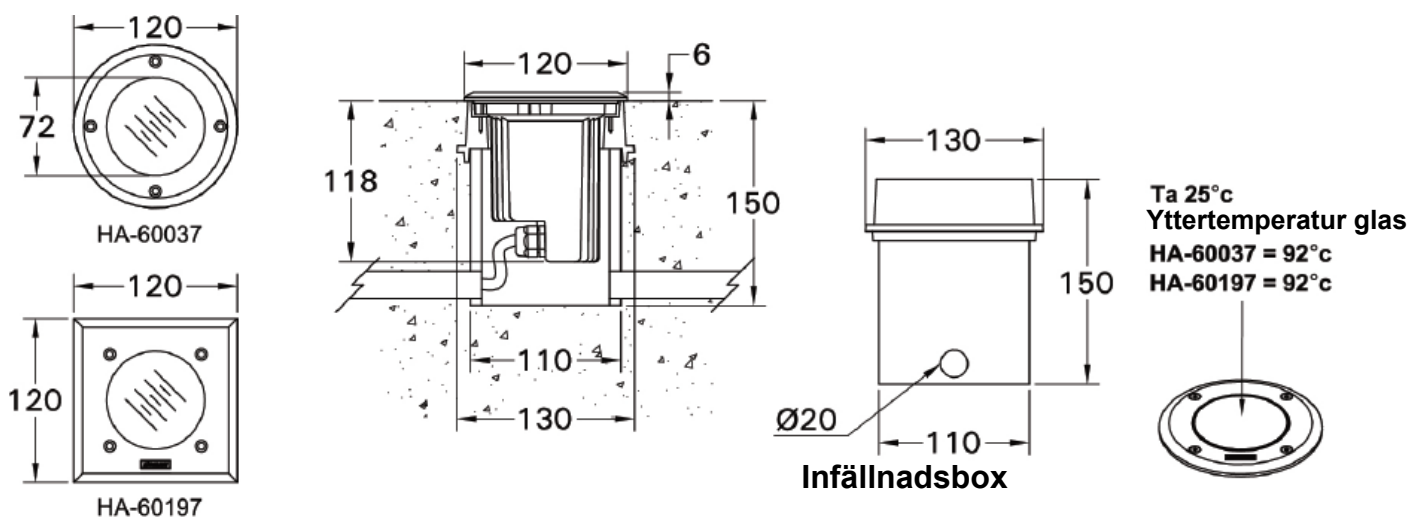
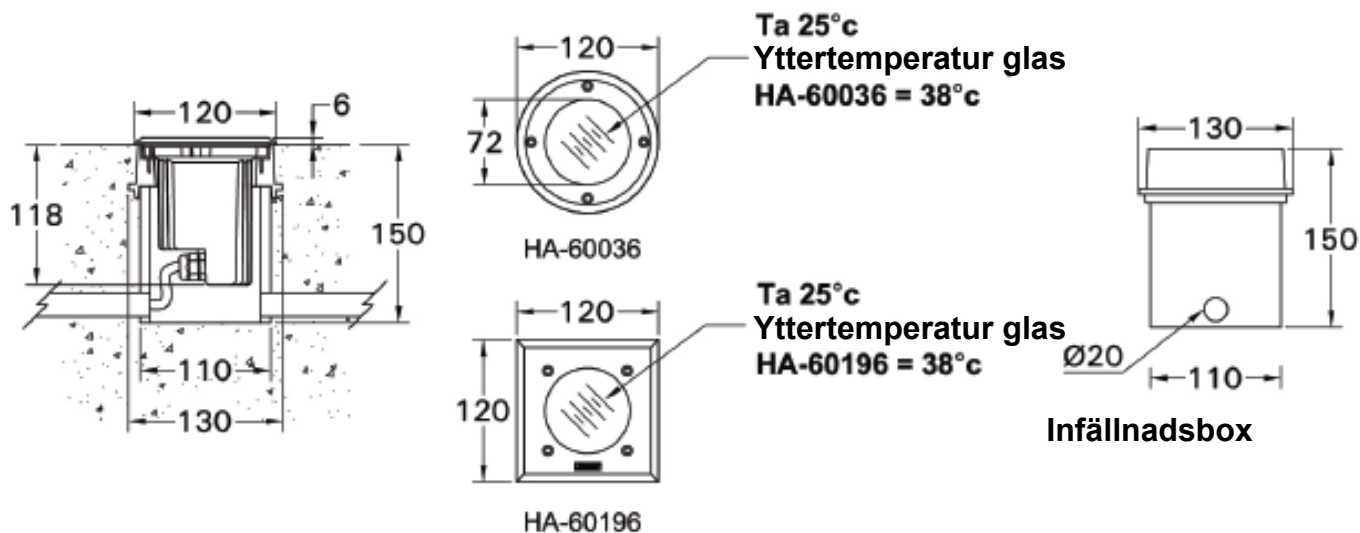
Produced by  
**LIGMAN**

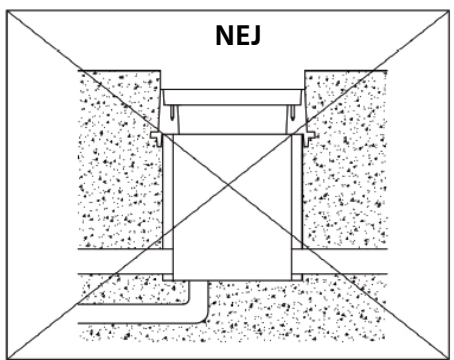
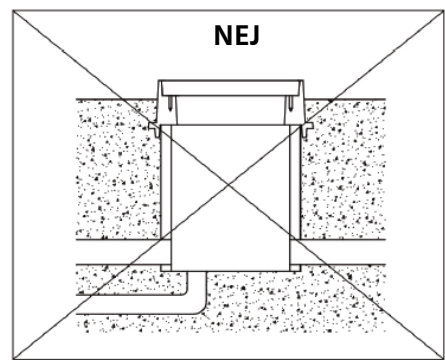
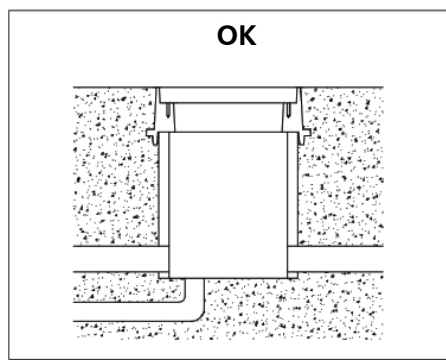
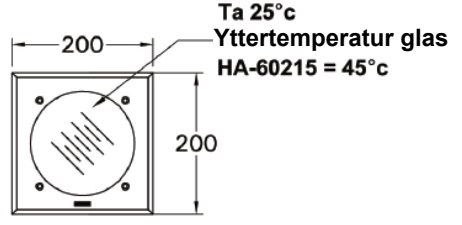
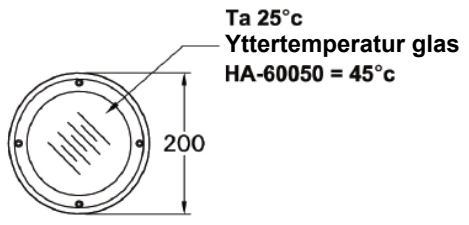
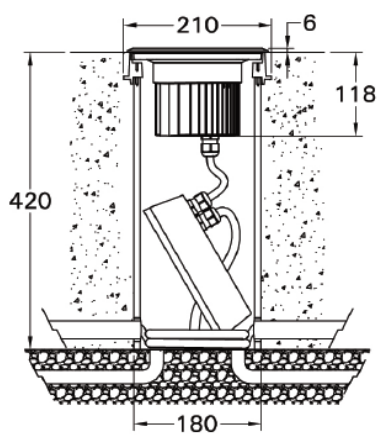
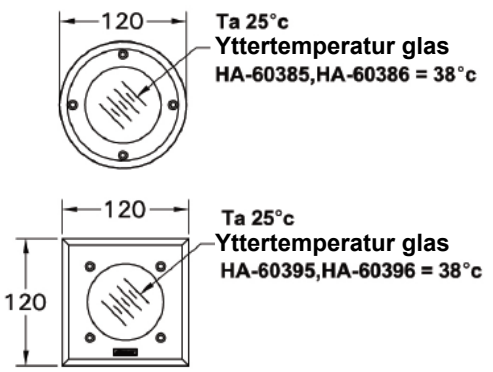
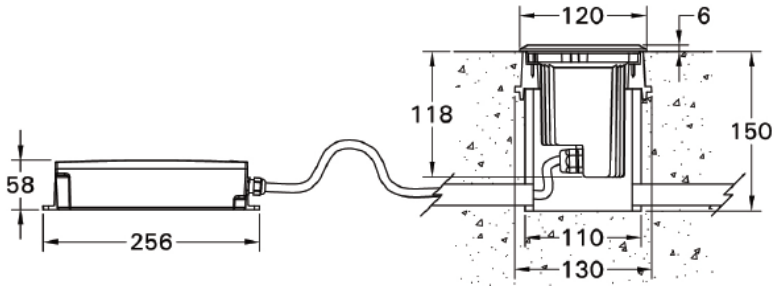
ecolux®  
Harrier

# Monteringsanvisning

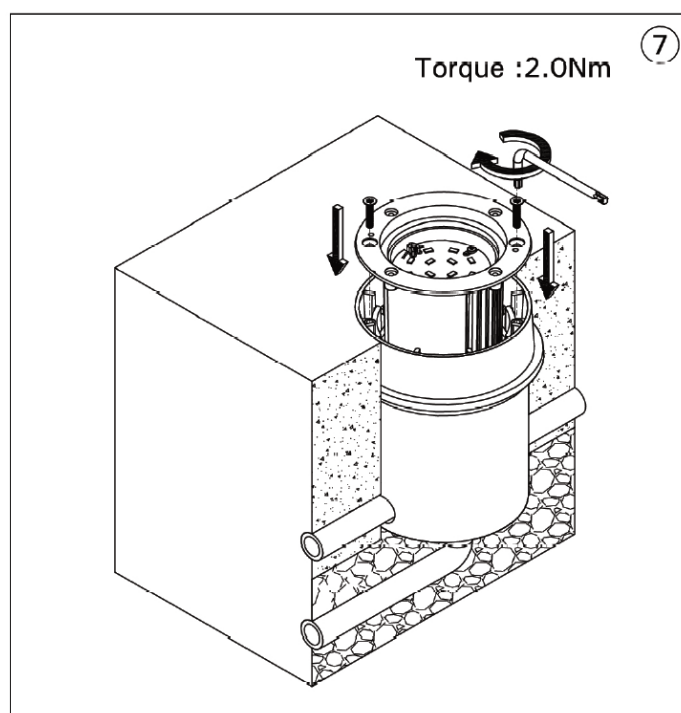
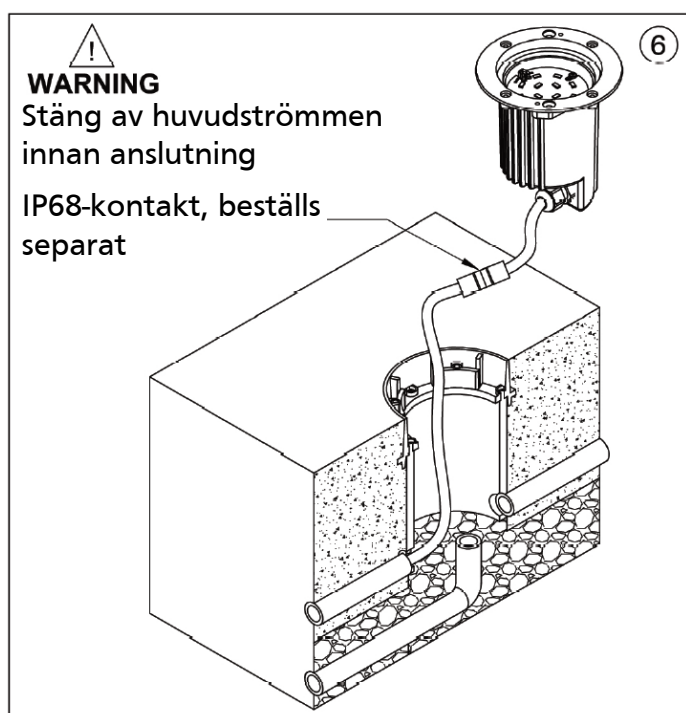
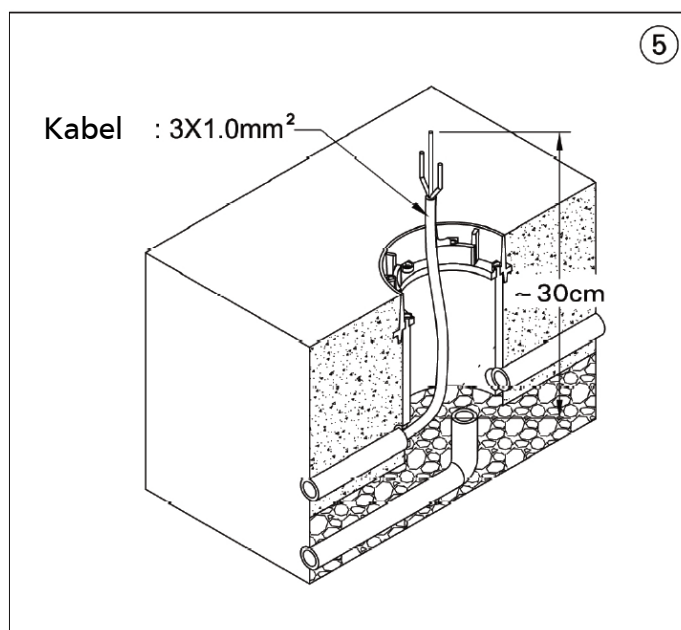
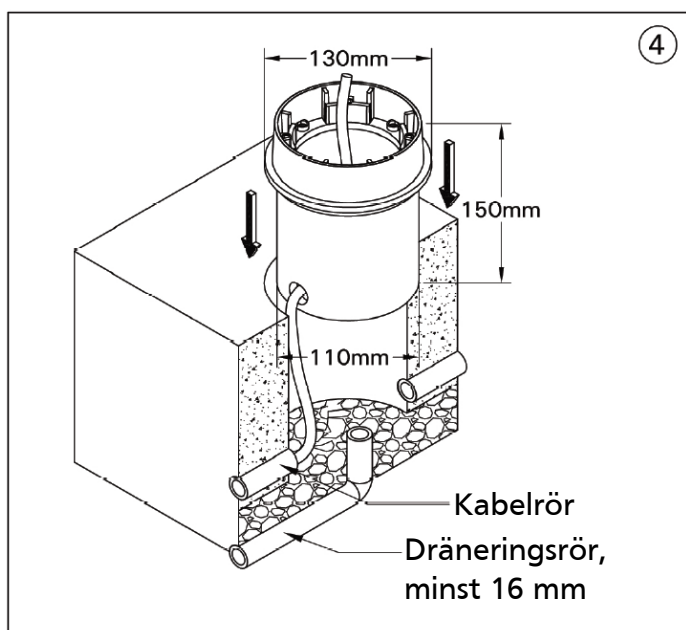
# Måttskiss

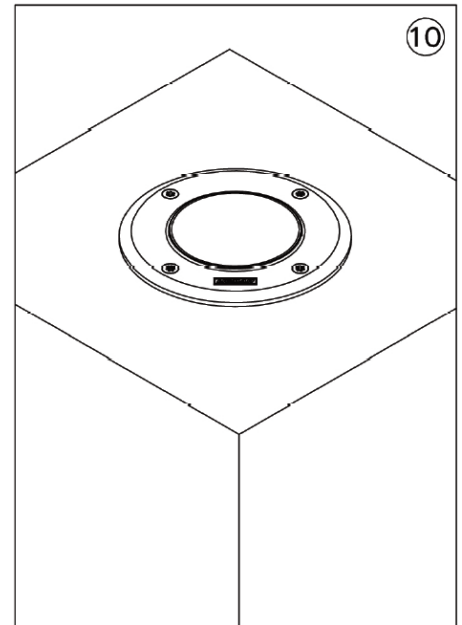
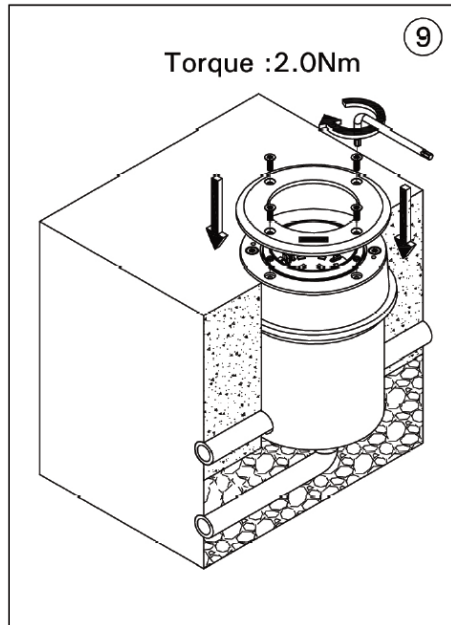
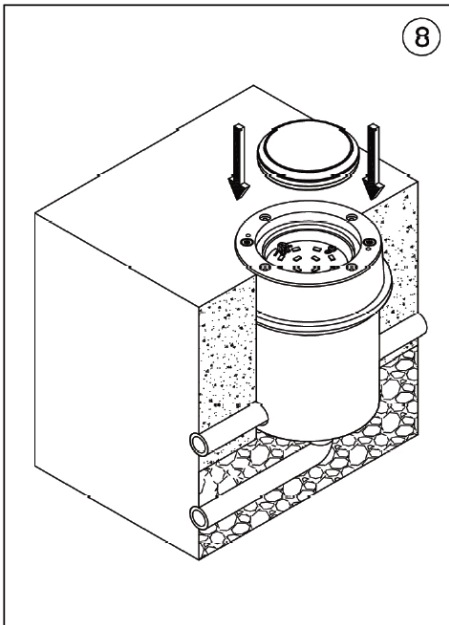
Walk-over belastning: Max 200 kg



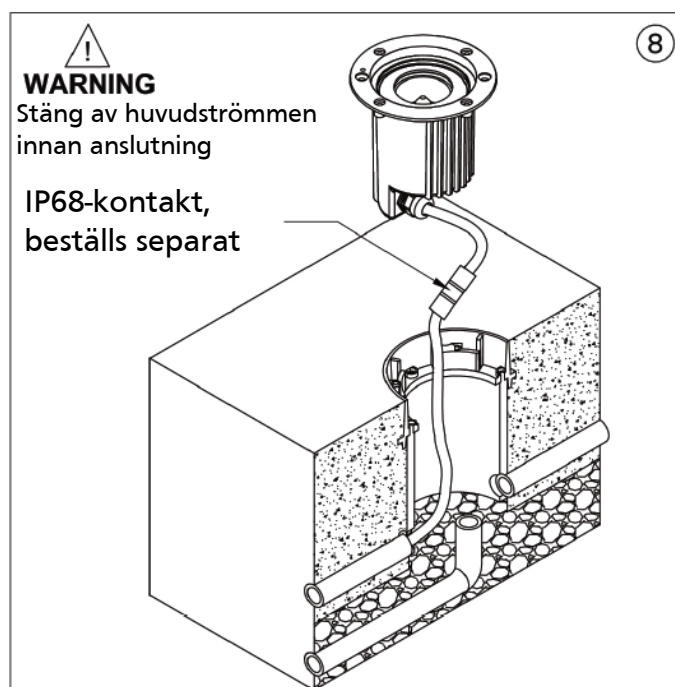
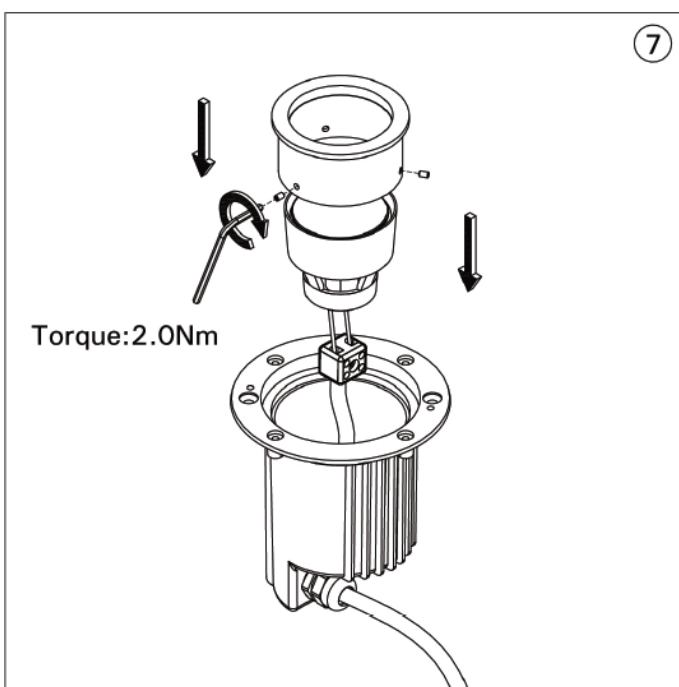
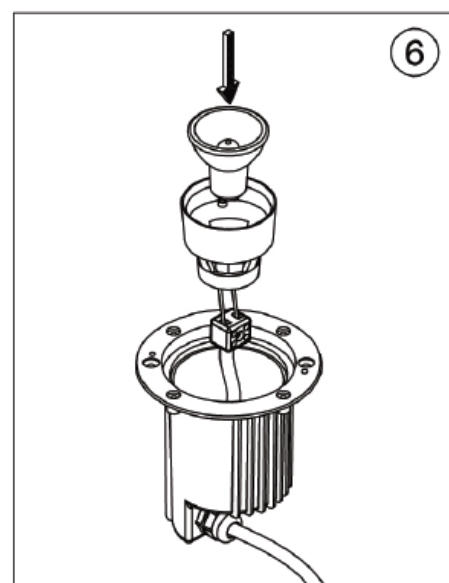
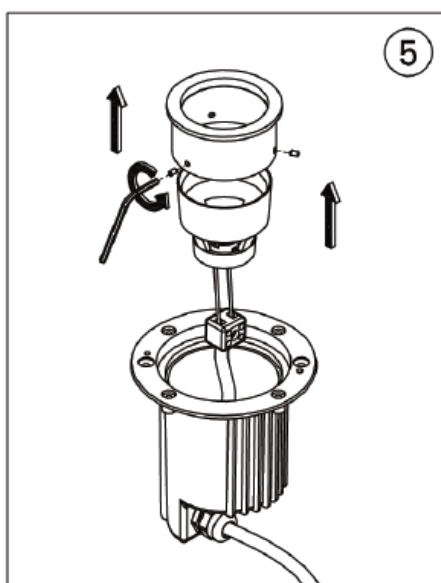
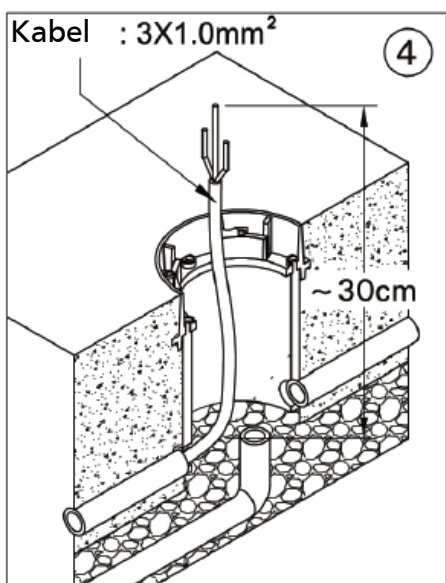
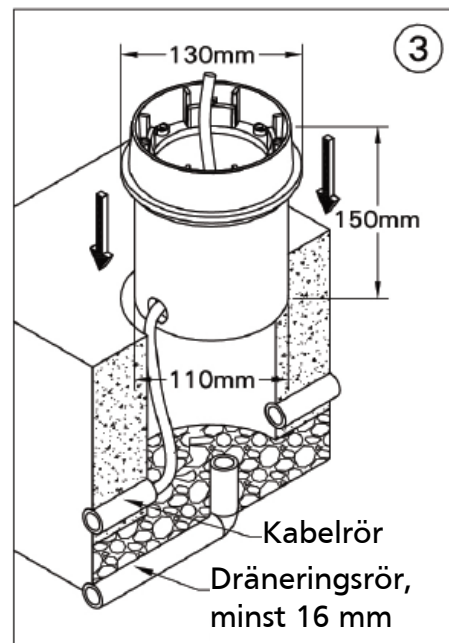
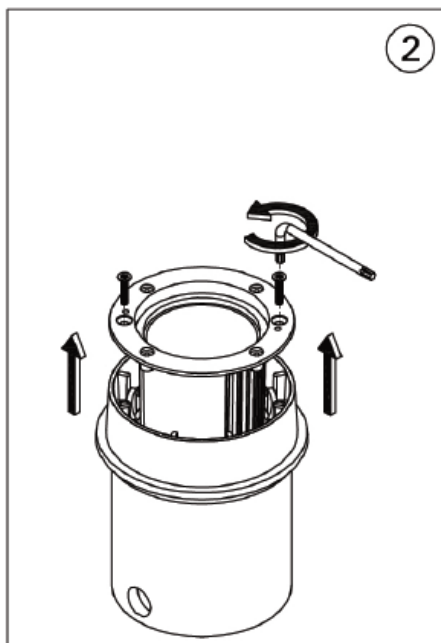
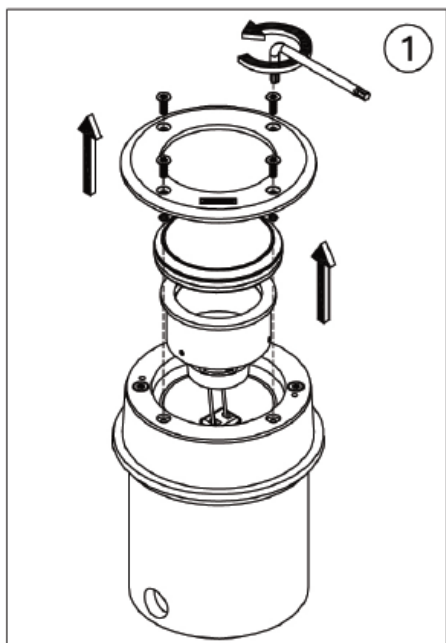


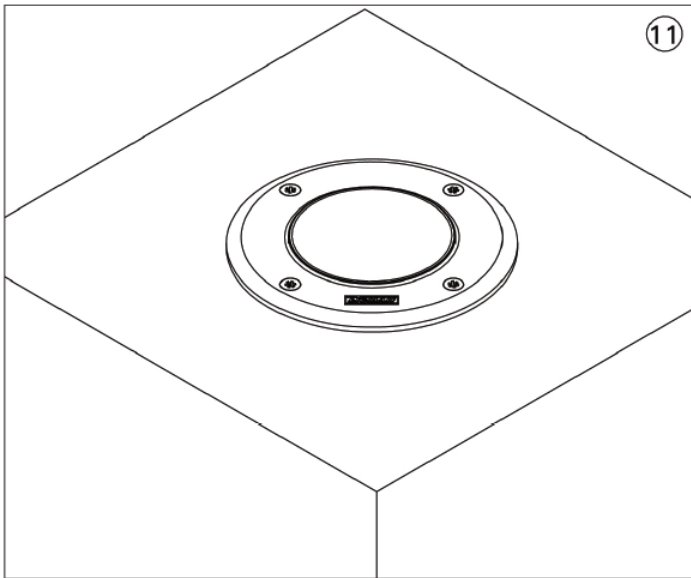
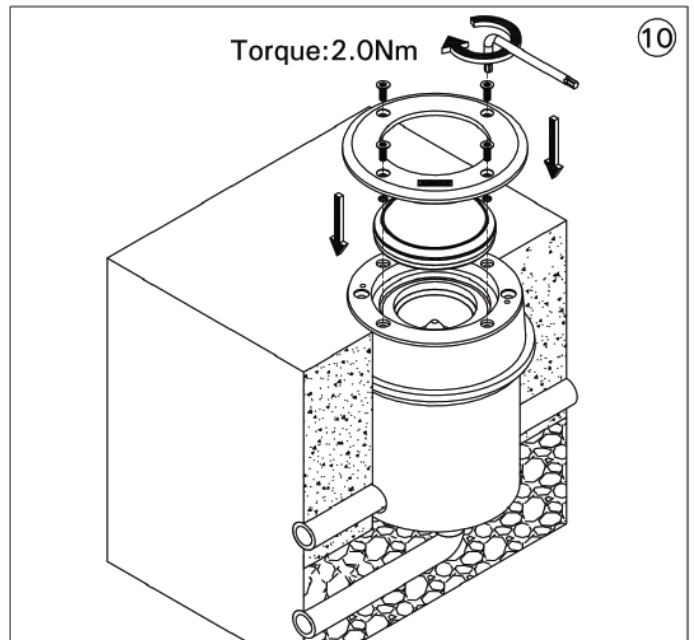
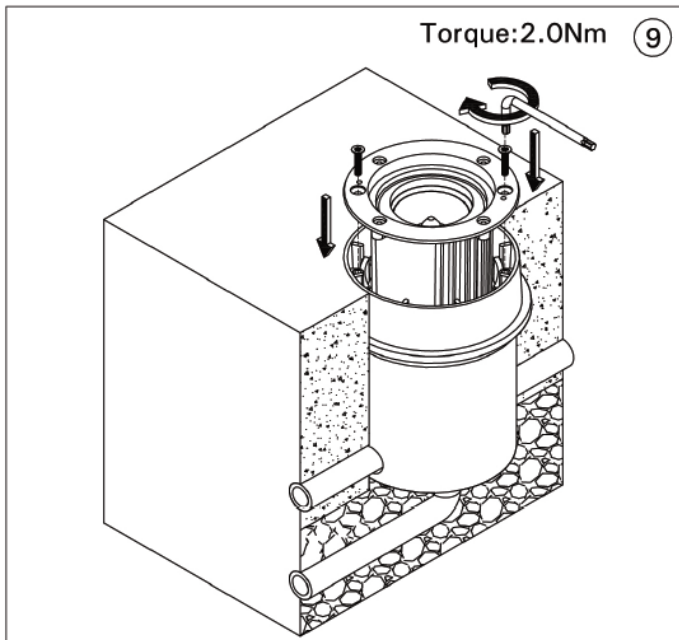
# Montage HA-60036, HA-60196



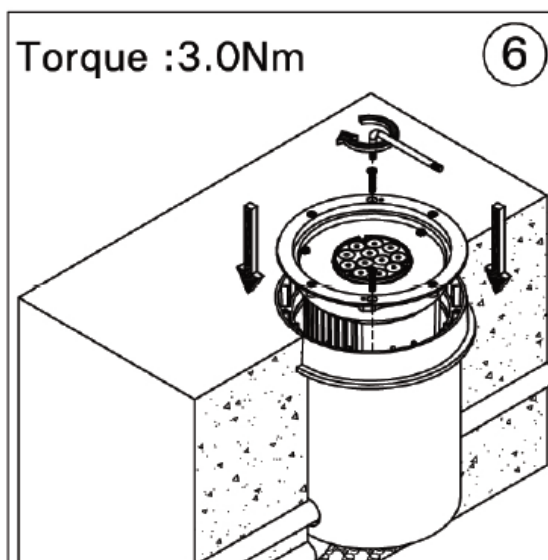
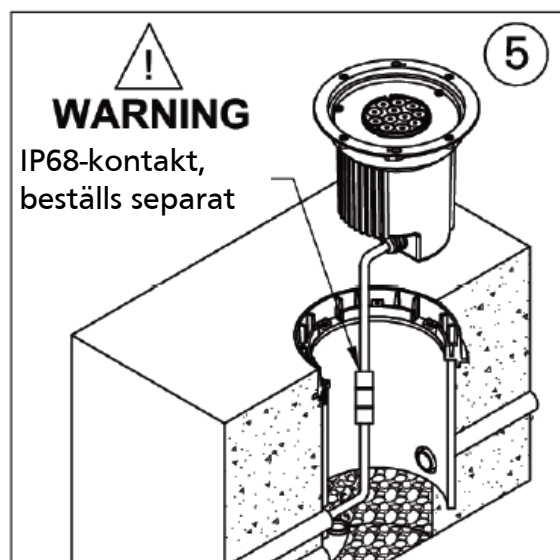
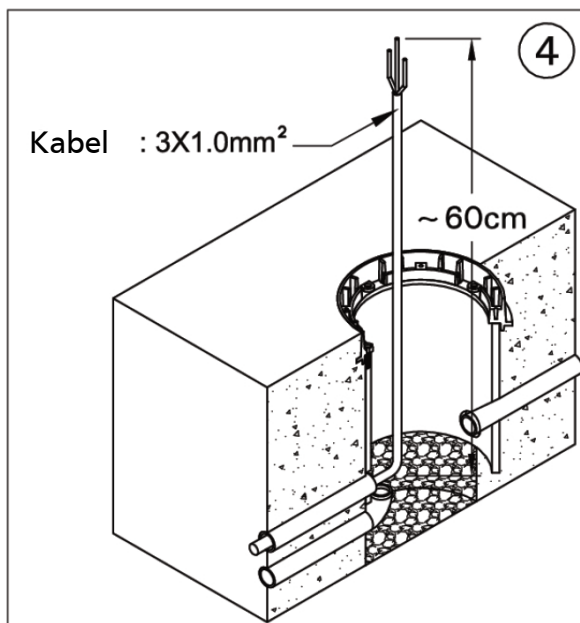
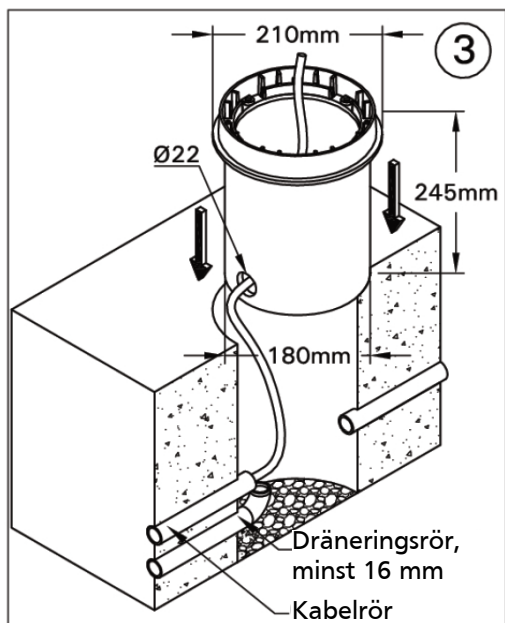
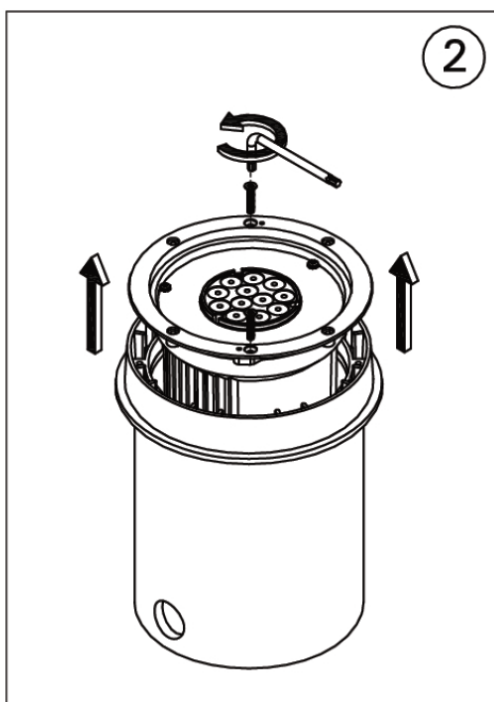
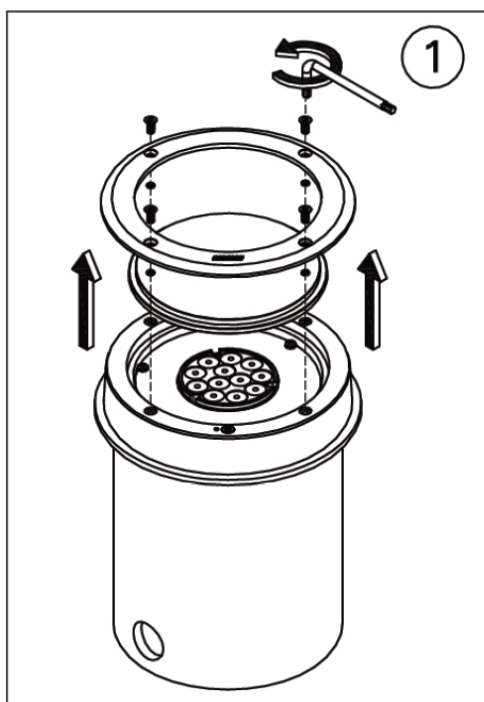


# Montage HA-60037, HA-60197

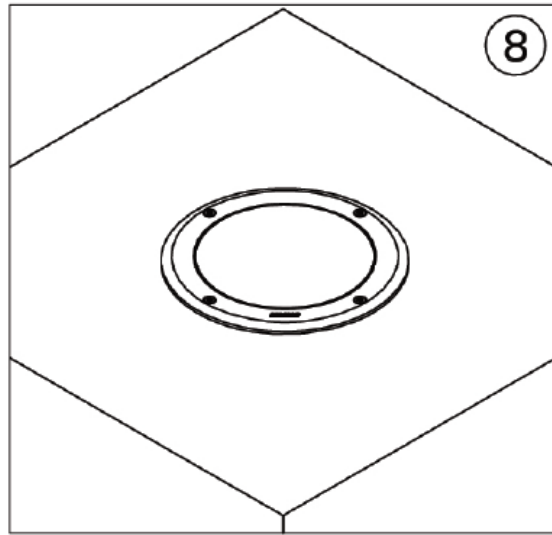
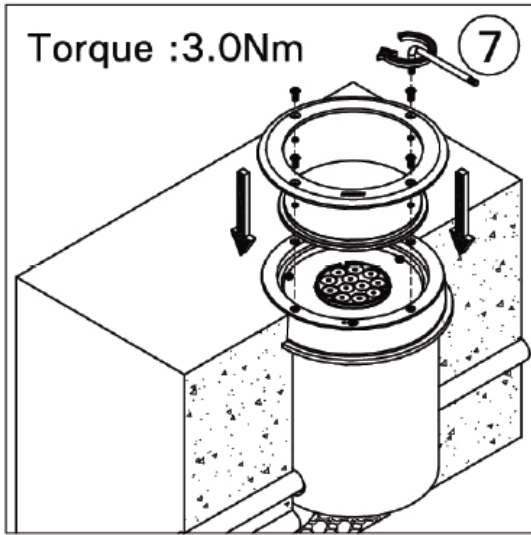




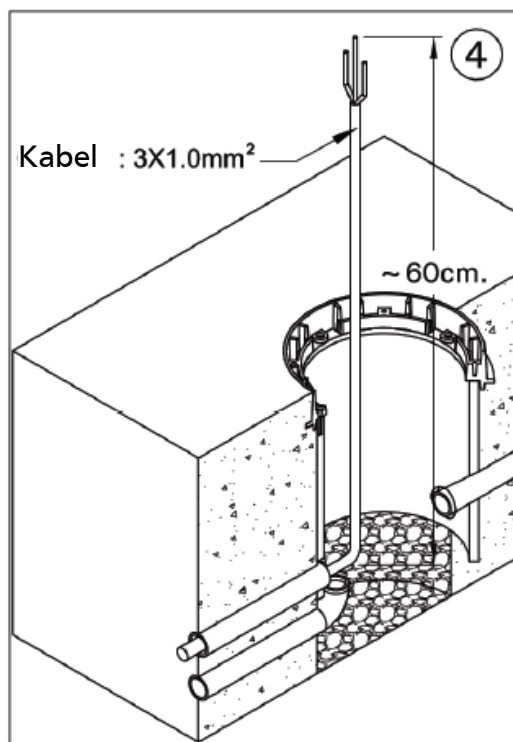
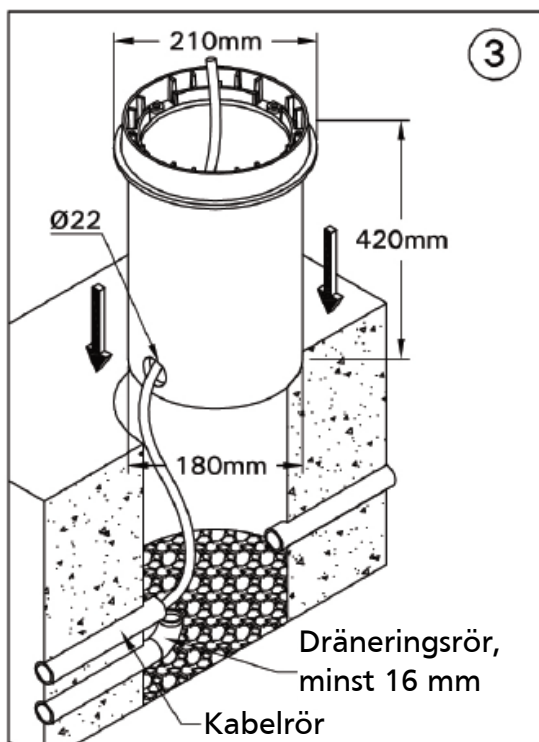
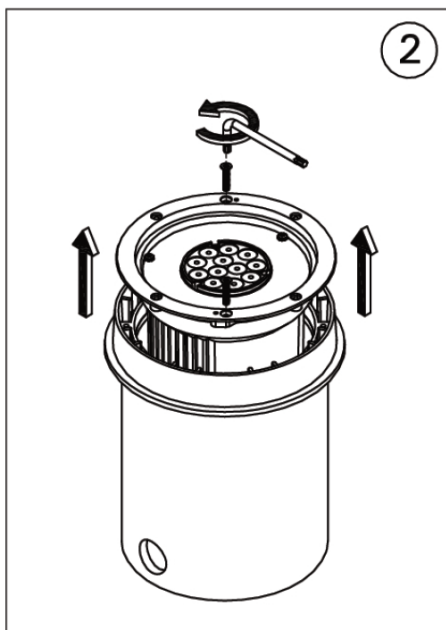
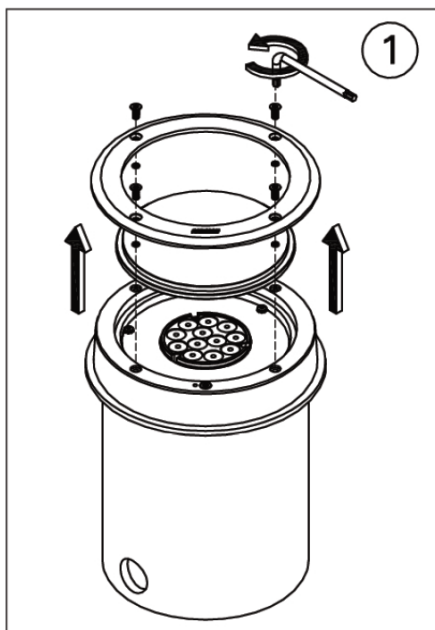
# Montage HA-60049, HA-60209, HA-60295, HA-60296, HA-60305, HA-60306

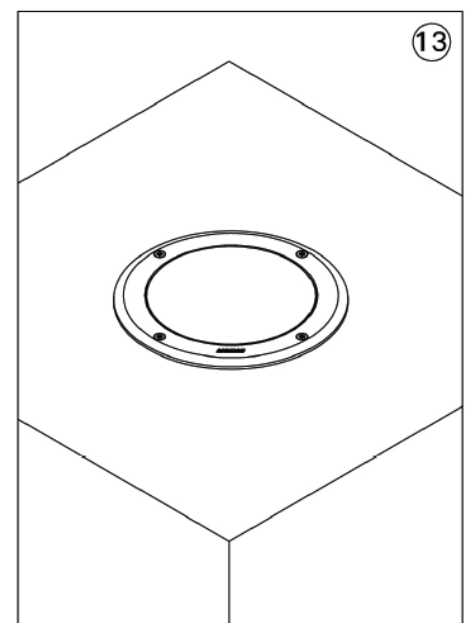
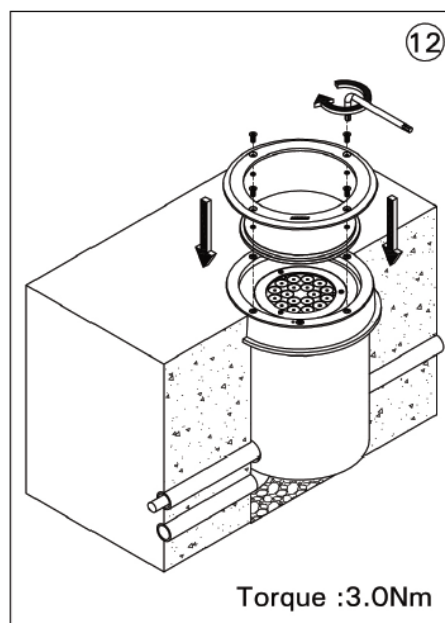
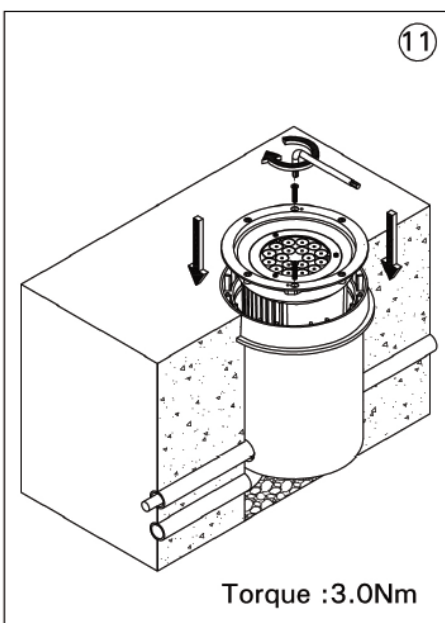
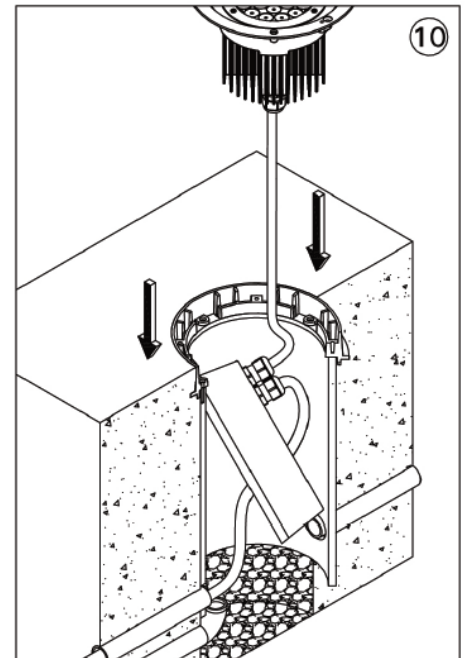
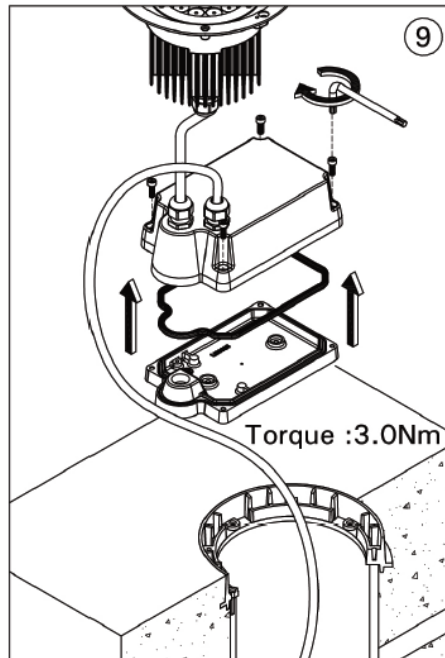
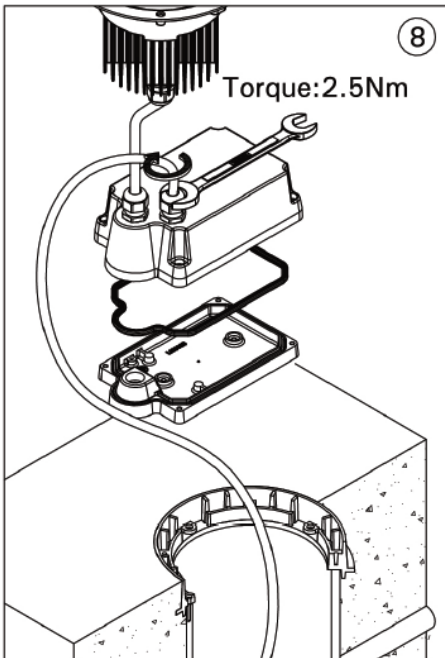
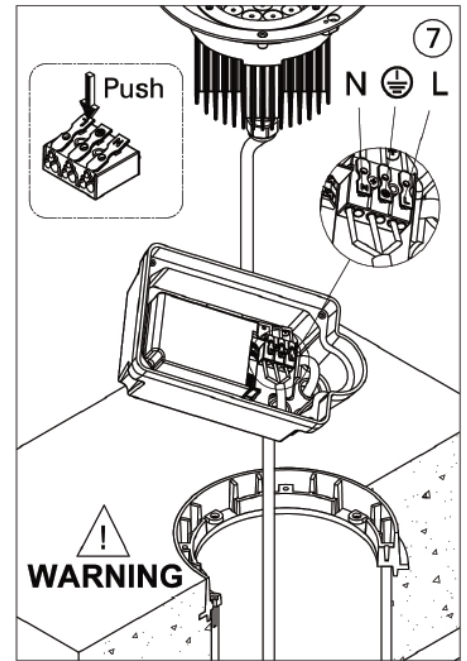
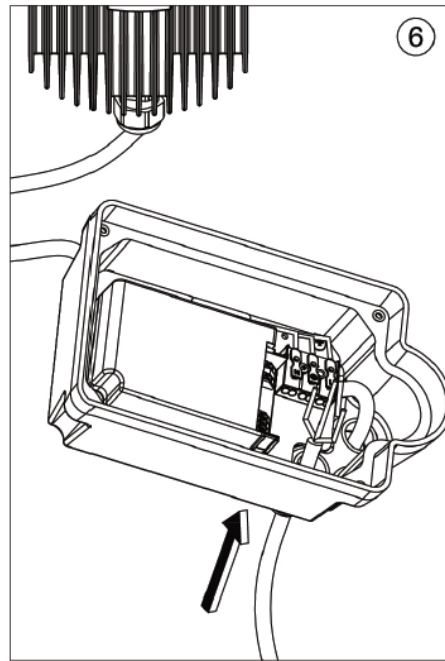
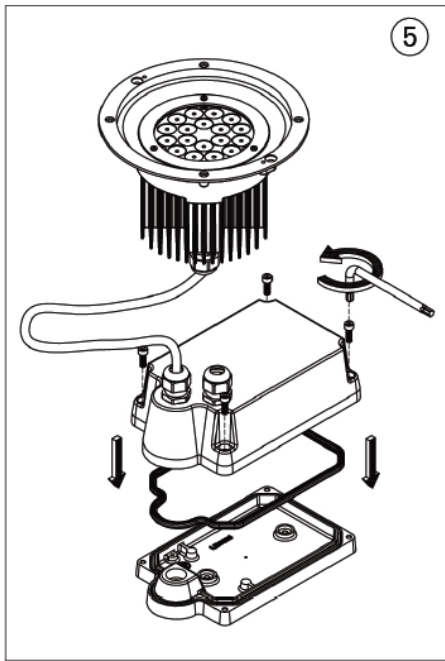




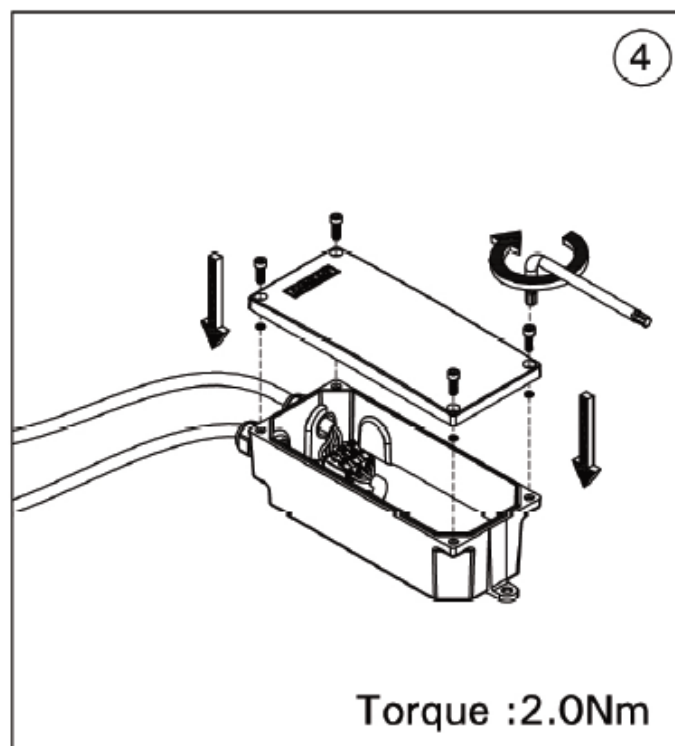
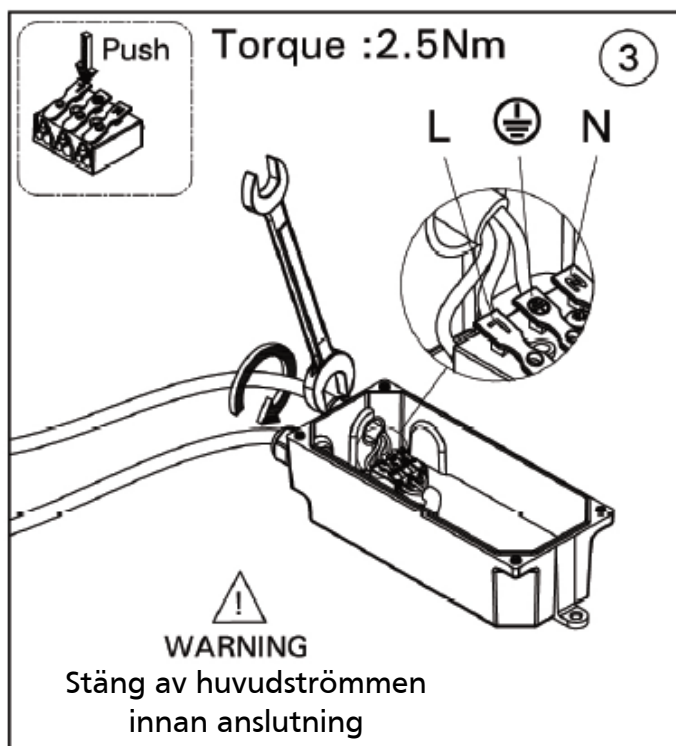
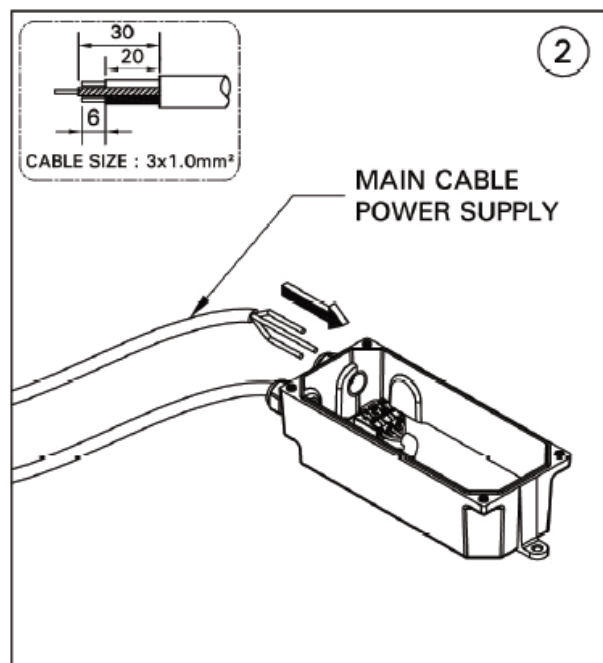
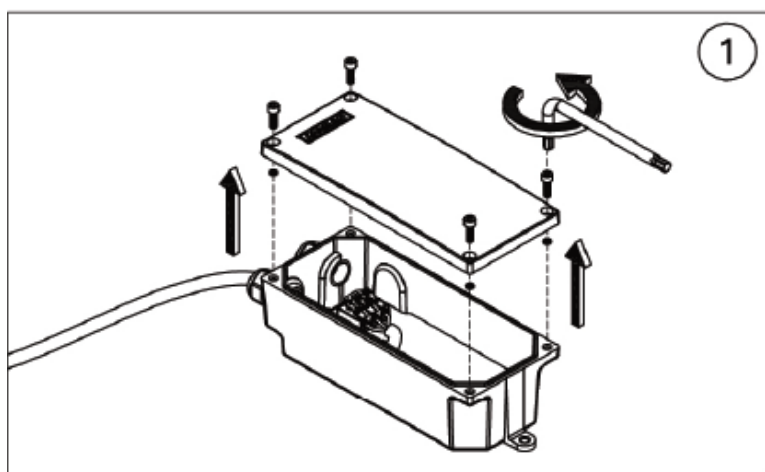


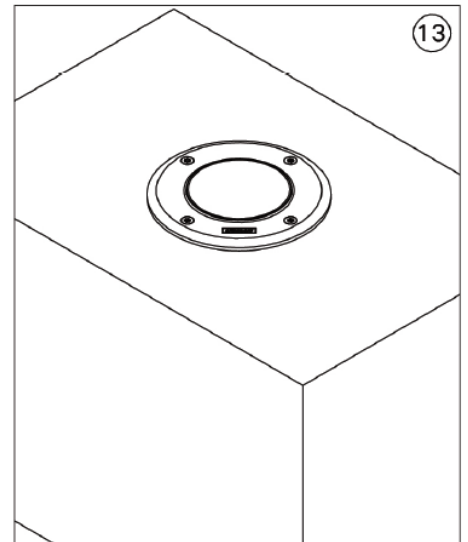
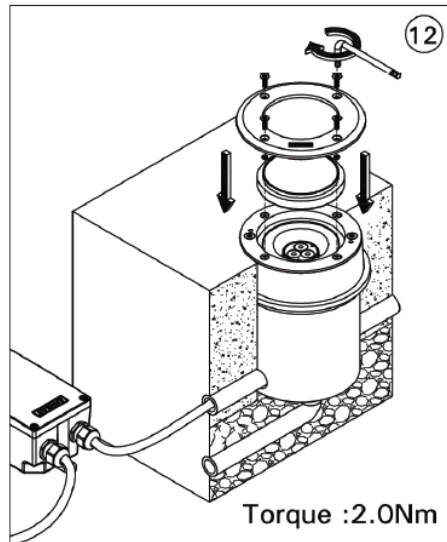
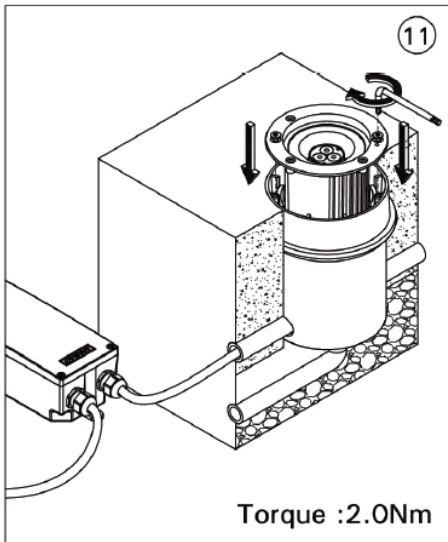
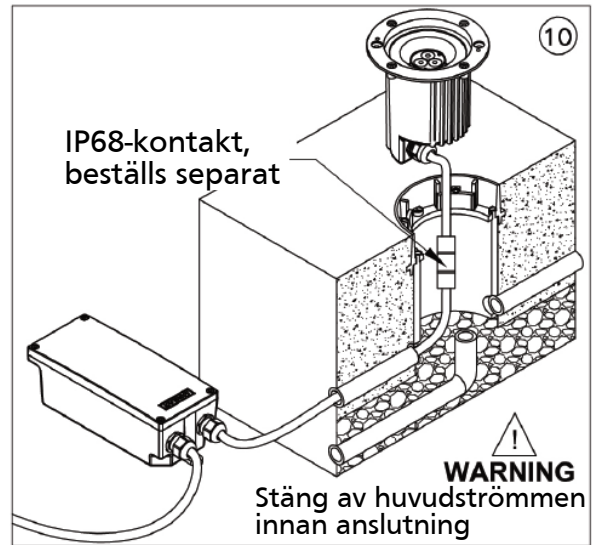
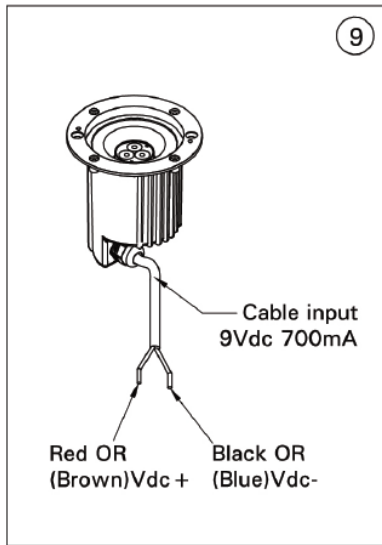
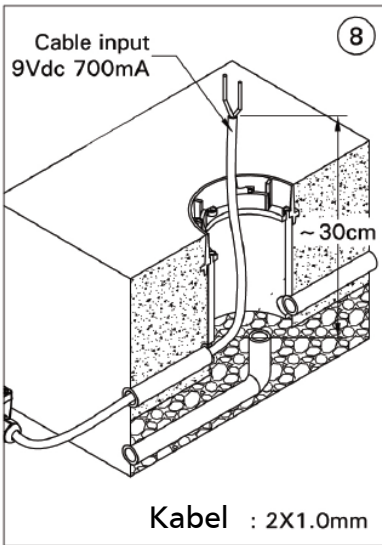
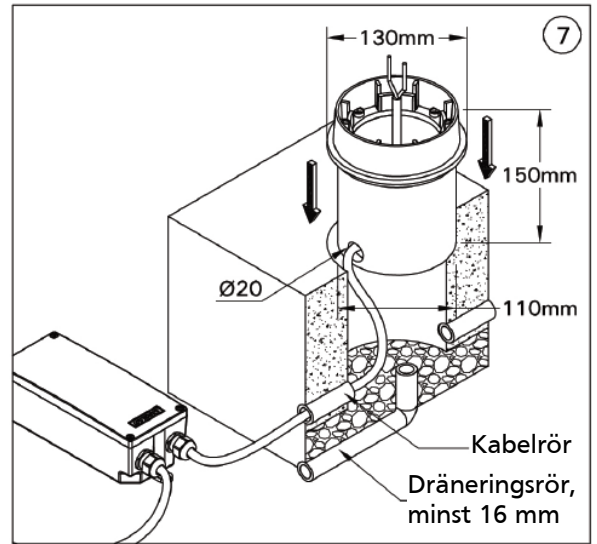
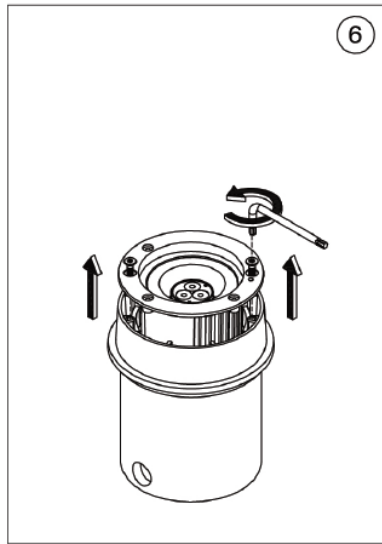
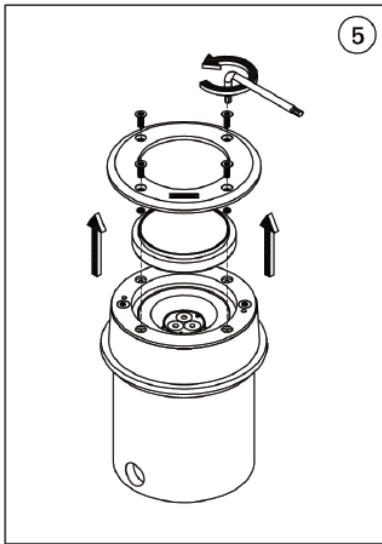
# Montage HA-60050, HA-60215





# Montage HA-60385, HA-60386, HA-30395, HA-60396







Ecolux AB | Box 73 | 265 21 ÅSTORP | Tel: 010-130 11 00 | E-post: [info@ecolux.se](mailto:info@ecolux.se)  
Vi reserverar oss för eventuella tryckfel.